



### Nominal data

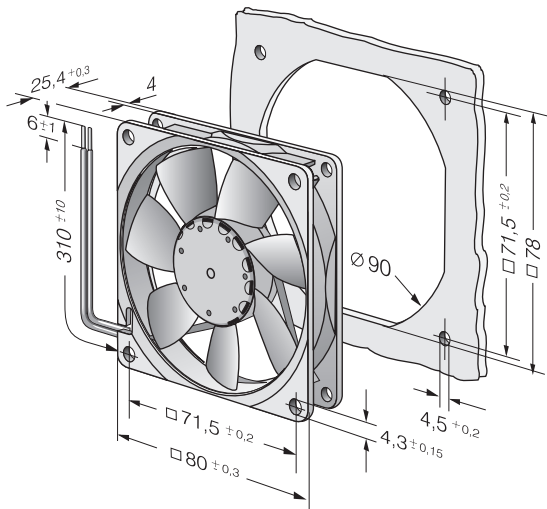
| Type                     | 8412 N            |         |
|--------------------------|-------------------|---------|
| Nominal voltage          | VDC               | 12      |
| Nominal voltage range    | VDC               | 8 .. 15 |
| Speed (rpm)              | min <sup>-1</sup> | 3100    |
| Power consumption        | W                 | 1.7     |
| Min. ambient temperature | °C                | -20     |
| Max. ambient temperature | °C                | 70      |
| Air flow                 | m <sup>3</sup> /h | 69      |
| Sound power level        | B                 | 4.7     |
| Sound pressure level     | dB(A)             | 32      |

ml = Max. load · me = Max. efficiency · fa = Free air · cs = Customer specification · ce = Customer equipment  
Subject to change

### Technical description

|  |   |
|--|---|
| <b>Housing material</b>                        | Glass-fiber reinforced PBT plastic  |
| <b>Impeller material</b>                       | Glass-fiber reinforced PA plastic   |
| <b>Weight</b>                                  | 0.095 kg  |
| <b>Dimensions</b>                              | 80 x 80 x 25 mm   |
| <b>Airflow direction</b>                       | Exhaust over struts   |
| <b>Direction of rotation</b>                   | Counterclockwise, viewed toward rotor   |
| <b>Storage</b>                                 | Ball bearing  |
| <b>Service life L10 at 40 °C</b>               | 70000 h   |
| <b>Service life L10 at maximum temperature</b> | 35000 h   |
| <b>Cable</b>                                   | Leads AWG 24, TR 64, stripped and tin-plated.   |
| <b>Motor protection</b>                        | Protection against reverse polarity and blocked rotor.  |
| <b>Locked-rotor protection</b>                 | Locked-rotor and overload protection  |
| <b>Approval</b>                                | VDE, CSA, UL, CE  |
| <b>Option</b>                                  | Possible custom designs:<br>Speed signal<br>Go / No-go alarm<br>Alarm with speed limit<br>External temperature sensor<br>Internal temperature sensor<br>PWM control input<br>Analog control input<br>Moisture protection<br>Degree of protection: IP54 / IP68 |

## Product drawing



## Curves: Air performance

